



# Martin Security Smoke Instant Sound Protection

## Specifications:

### Electrical interface

Power Supply	12-18 v DC, 130 mA
Activation Signal	Trig - : 0-0,5V (50mA) Trig +: 8-18V (10mA)
Cables	0,25-1mm2 (AWG 22-18)

### Battery

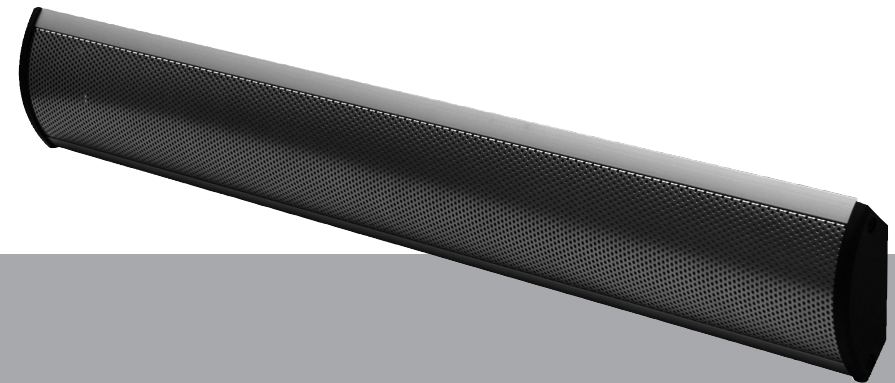
Specification	7,2V NI-MH
Capacity (Sufficient for 20 min. continuous alarm signal)	1,1 Ah
Max. charge time	24 Hours
Stand by time Without recharge	1 Month
Life time	3 Years

### Fuse

Specification	3,15 AT
---------------	---------

The Alarm sound continues as long as any one of the activation signals (TRIG-, TRIG +) is active, or for a maximum of 3 minutes.

In order to restart the alarm after the “3 min-shutdown”, both TRIG- and TRIG + must first be deactivated.

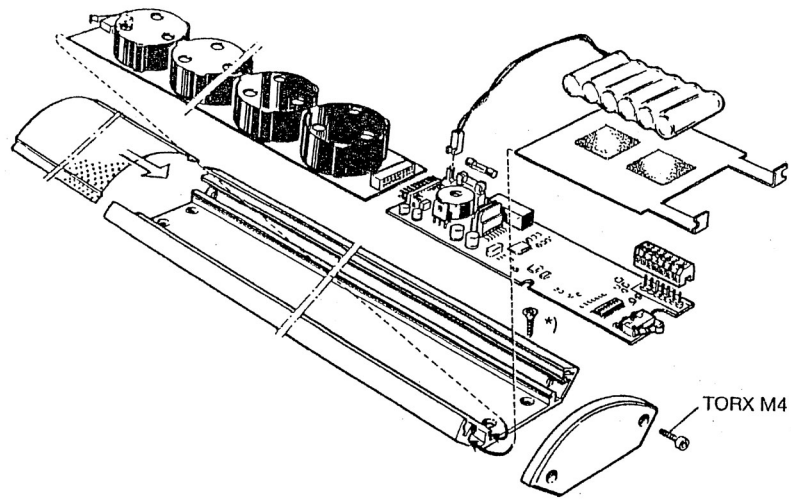


© Martin Security Smoke 02/05 MSS596B-IE

Installation Guide  
**IPA 125**

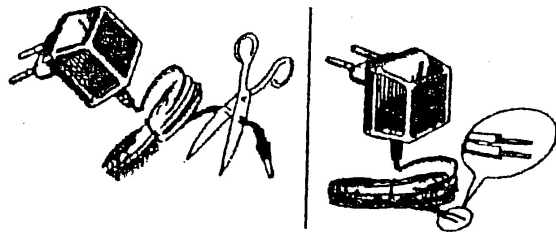
**WARNING:**  
Prolonged exposure to noise can cause  
an adverse effect on your hearing.

## ISP Assembly Drawing



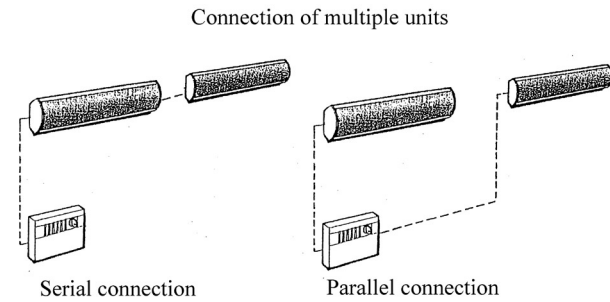
**Attention:** Observe precautions for handling electrostatic discharge sensitive devices

## Powersupply



Cut standard connector off and remove insulation at ends.

## Connection



## Test

1. Set SW2-6 to position "Test". (LED V22 Indicates correct charge voltage).
2. Activating TRIG- or TRIG + generates 4 different pitched sound signals. (The battery will need a few minutes to charge).
3. Set SW2-6 to position "Normal" (LED off).

